



Avalon

500mm

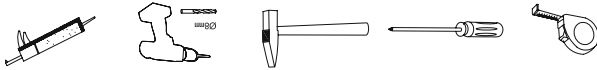
WC Unit





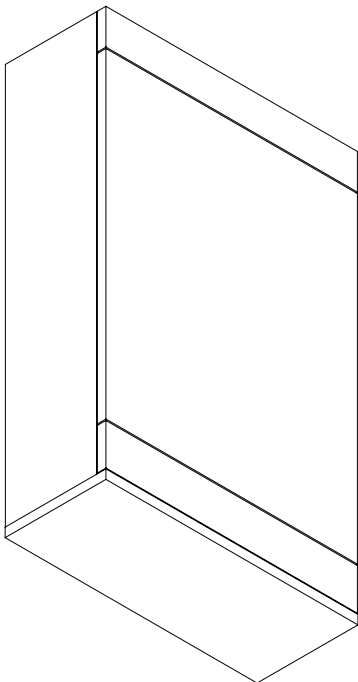
SPF1030 and SPF1075

Part of the Superior Products Range

For more information, visit us at: www.sp-bathrooms.co.uk
P.O.Box 1042, Ipswich, IP1 9XY




 M5x50mm ② × 2	 Ø 8x35mm ① × 2
---	--



PARTS

Before You Start

PRIOR TO COMMENCING INSTALLATION PLEASE READ ALL WARNINGS AND INSTALLATION GUIDELINES.

Very important general information  about your product, please read

- When cutting panels always wear eye protection and other safety equipment relative to the installation tools being used.
- Before installation check the panels to ensure no damage has occurred during transport.
- The panels are supplied with a protective film over the gloss PVC.

Do not remove protective film until  after the installation.

Marking Out and Cutting the WC Pan Inlet/Outlet Holes

! First, it is very important to clearly identify the **Front (PVC Gloss)** face and the **Rear (Melamine)** face of any panels being cut.

! You **MUST** mark and draw the cutting lines onto the **front of the panel and cut from the front**.

! Appropriate clamping and support is essential to avoid vibration and potential chipping/cracking.

To remove the front panel from the unit, the 4 locking nuts need to be turned to free the locking cams. The locking nuts can be found below the white screw covers on either side of the unit.

Step A:

First of all, measure the area where you want to cut the inlet outlet holes for the WC pan using a tape measure. Note down the dimensions then mark the cutting lines.

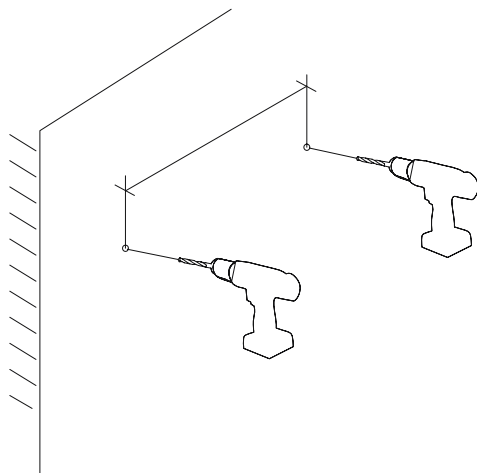
Step B:

For added protection use masking tape to cover the cutting lines.

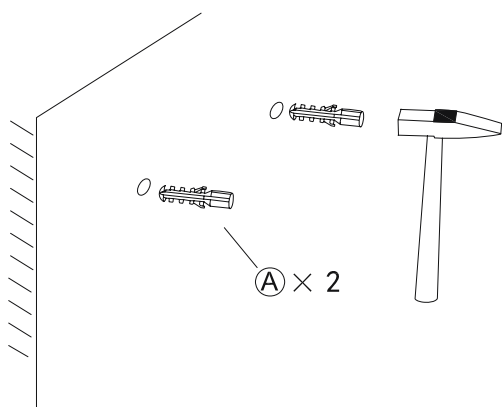
Step C:

If the visibility of the drawn lines are reduced after using the masking tape and you cannot see them clearly, just take the measurements again and re-mark the points/lines which you want to cut over the masking tape.

STEP 1



STEP 2



STEP 3

